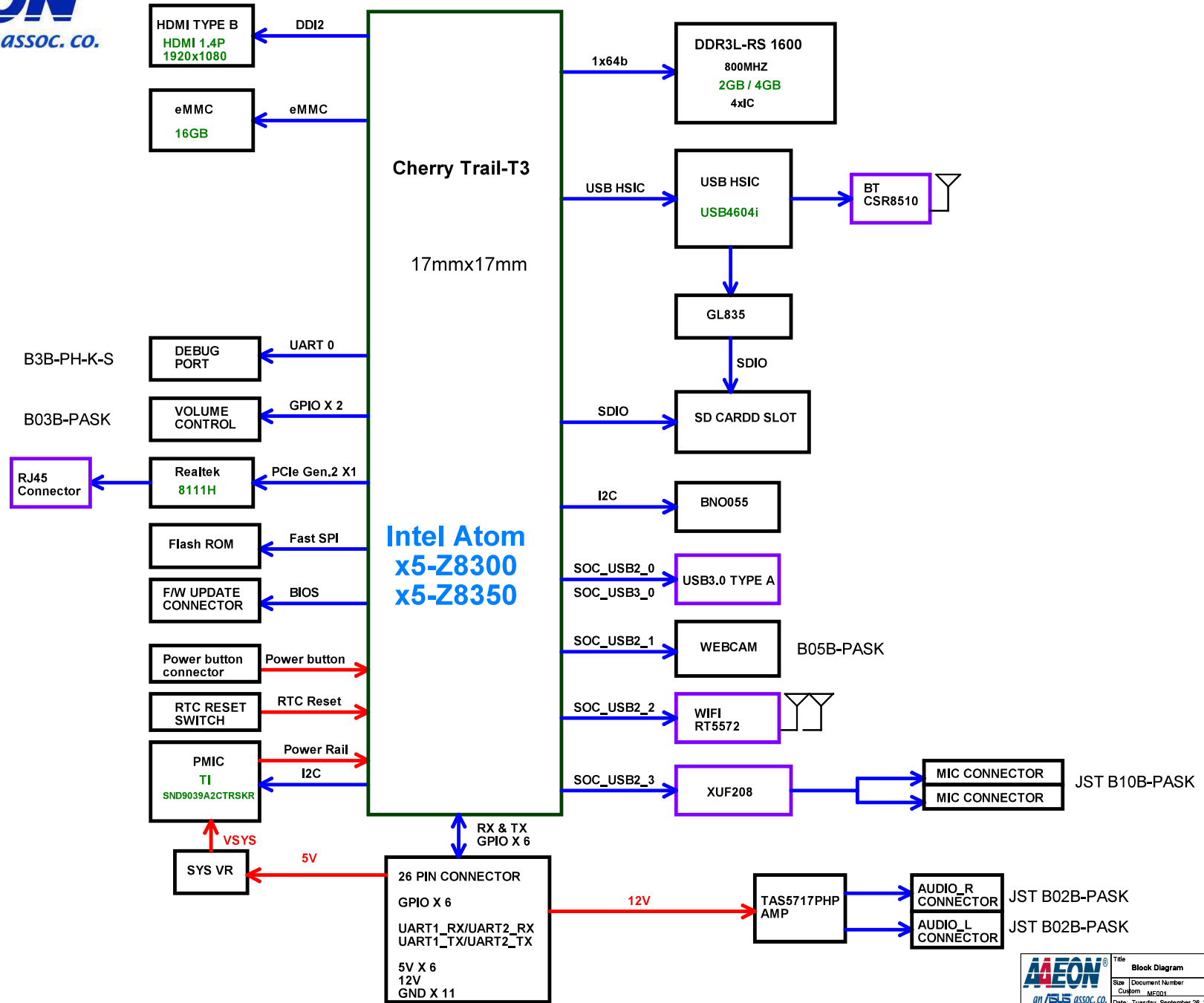


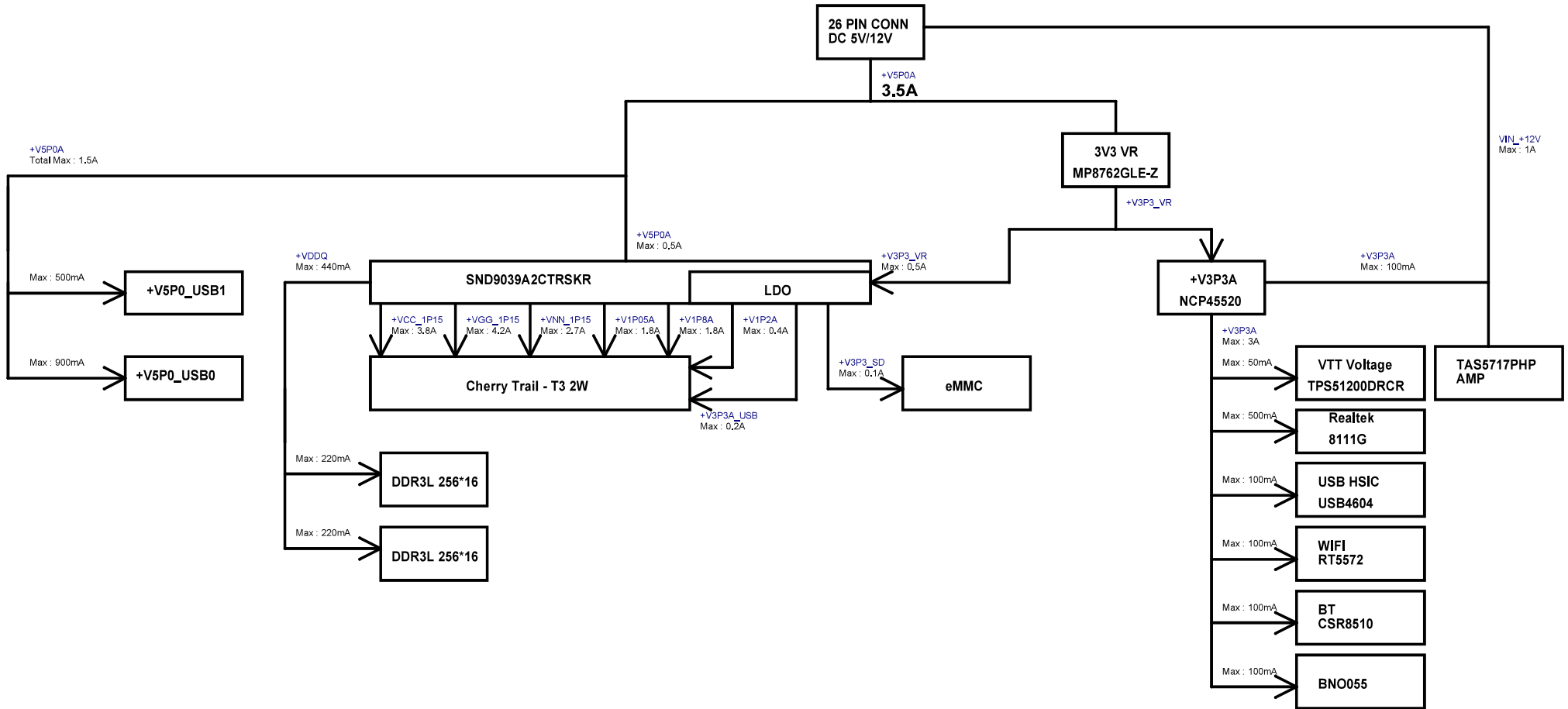
| | | | | | |
|----|---------------------------|----|---------------------------|----|---------|
| 01 | INDEX | 21 | LEVEL SHIFT CIRCUITRY | 41 | HISTORY |
| 02 | BLOCK DIAGRAM | 22 | SPI FLASH ROM | | |
| 03 | POWER TREE | 23 | EMMC | | |
| 04 | POWER SEQUENCE | 24 | BNO055 | | |
| 05 | SOC MEMORY | 25 | WIFI_RT5572N | | |
| 06 | SOC POWER1 | 26 | BT_CSR CRS8510 | | |
| 07 | SOC DISPLAY/CAMERA | 27 | USB3.0_TYPE-A | | |
| 08 | SOC PCIE/SDMMC/I2S AUDIO | 28 | USB HSIC | | |
| 09 | SOC USB/HSIC/I2C/ISH | 29 | RTL8111G-CG | | |
| 10 | SOC CLK/SPI/GPIO/HSUART | 30 | EDP TO HDMI | | |
| 11 | SOC GND | 31 | AUDIO1 | | |
| 12 | SOC POWER2 | 32 | AUDIO2 | | |
| 13 | SOC DECOUPLING CAPS | 33 | FUNCTION CONN | | |
| 14 | SOC POWER TRIBUTARIES | 34 | 3V VOLTAGE REGULATOR | | |
| 15 | SD CARD | 35 | PMIC 1of3/CONTROL | | |
| 16 | HARDWARE STRAP | 36 | PMIC 2of3/SWITCHING POWER | | |
| 17 | POWER & RESET PIN HEADER | 37 | PMIC 1of3/CLDO | | |
| 18 | MEMORY 1/2 | 38 | VTT VOLTAGE REGULATOR | | |
| 19 | MEMORY 3/4 | 39 | DC IN 26 PIN CONNECTOR | | |
| 20 | DDR3L-RS VREF&Termination | 40 | MECHANICAL COMPONENT | | |

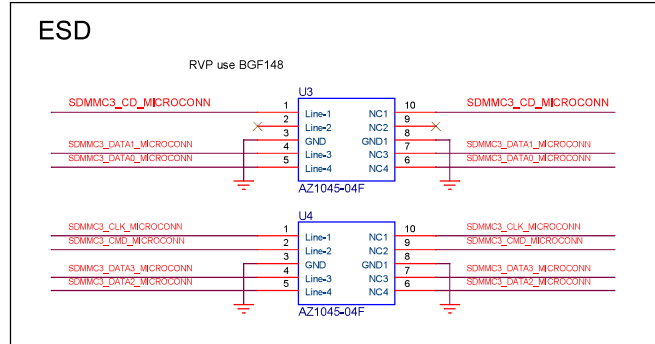
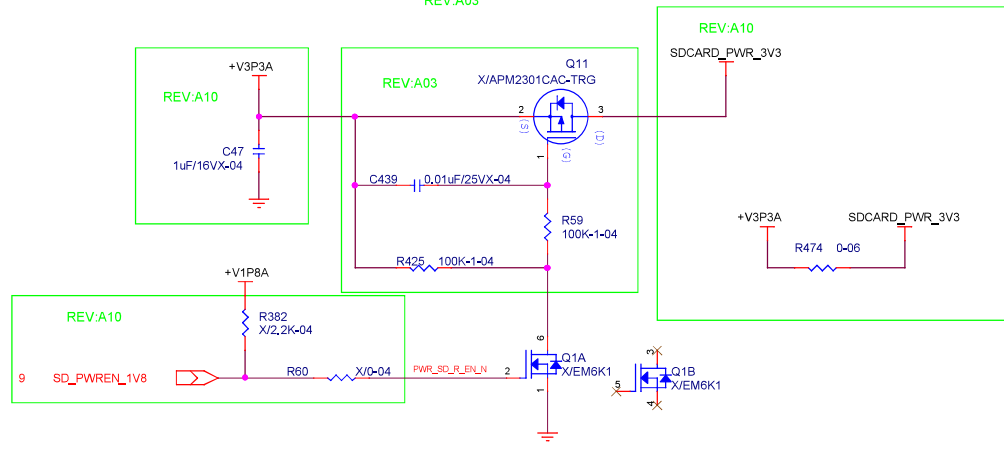
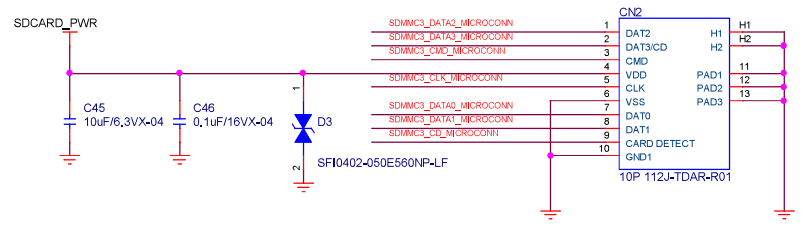
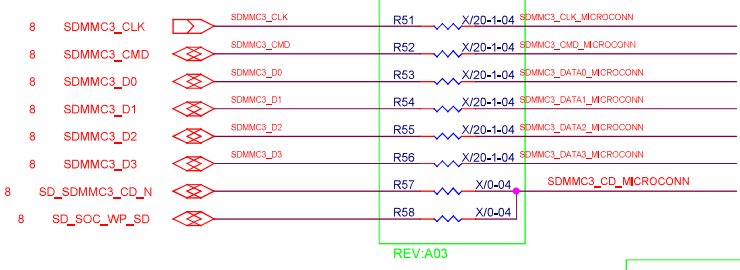


| | | |
|-----------------------------------|--------------------------|------------------|
| Title Index | | |
| Size A | Document Number MF001 | Rev: A1.0_0_0 |
| Date: Tuesday, September 26, 2017 | | Sheet: 1 of 41 |

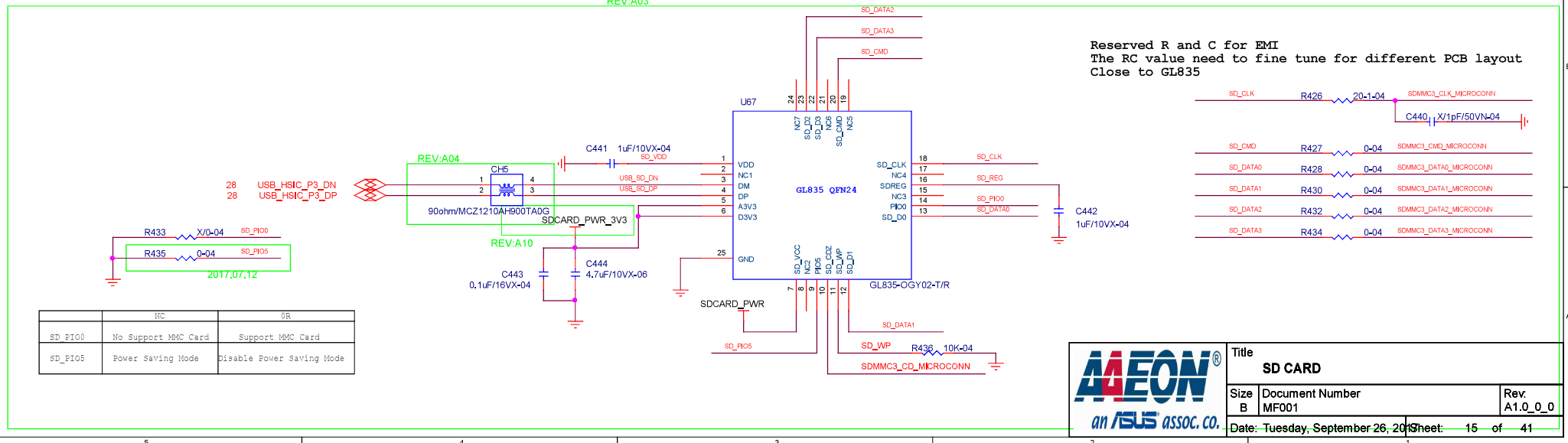
Block Diagram







REV:A03



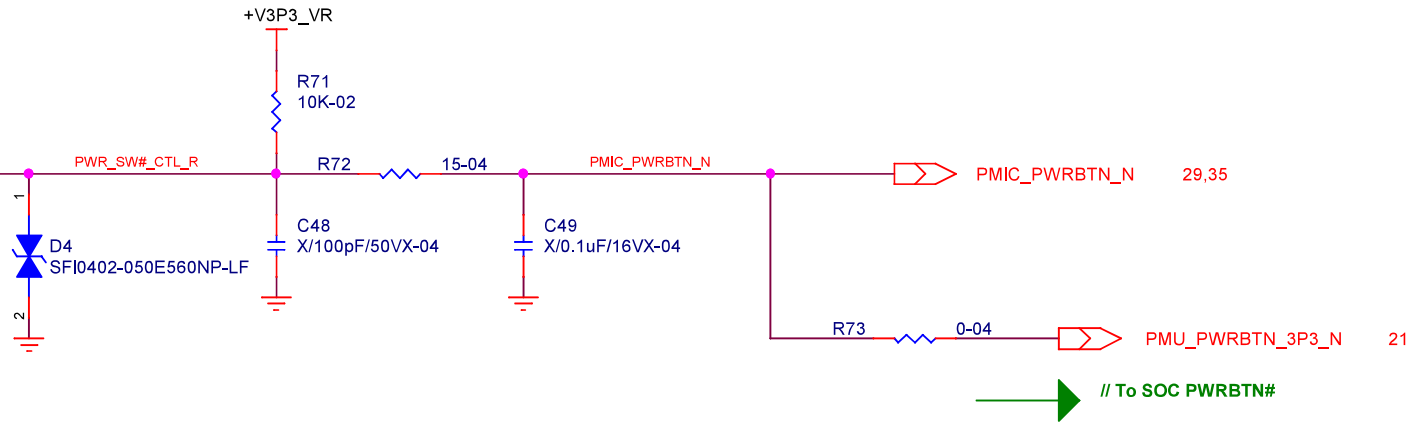
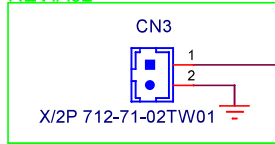
Reserved R and C for EMI
The RC value need to fine tune for different PCB layout
Close to GL835

| | NC | OR |
|---------|---------------------|---------------------------|
| SD_PIO0 | No Support MMC Card | Support MMC Card |
| SD_PIO5 | Power Saving Mode | Disable Power Saving Mode |

| | | |
|---|--------------------------|------------------|
| Title SD CARD | | |
| Size B | Document Number MF001 | Rev. A1.0_0_0 |
| Date: Tuesday, September 26, 2018 Sheet: 15 of 41 | | |

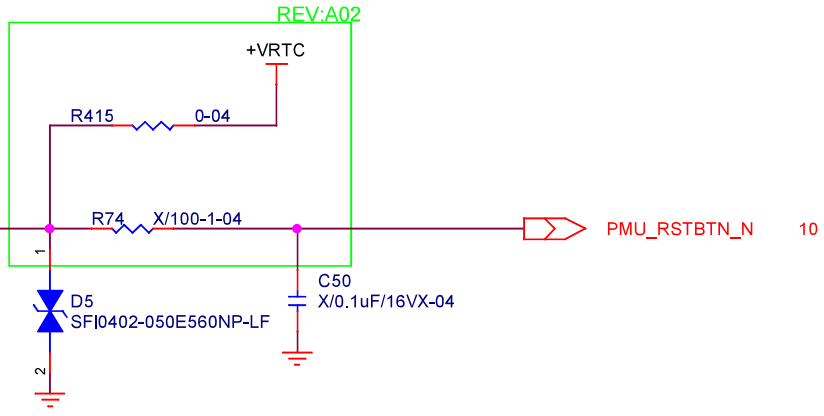
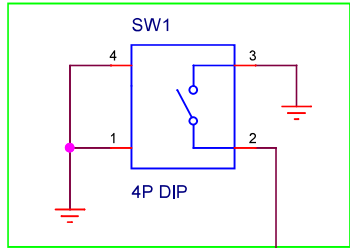
POWER Button

REV:A02

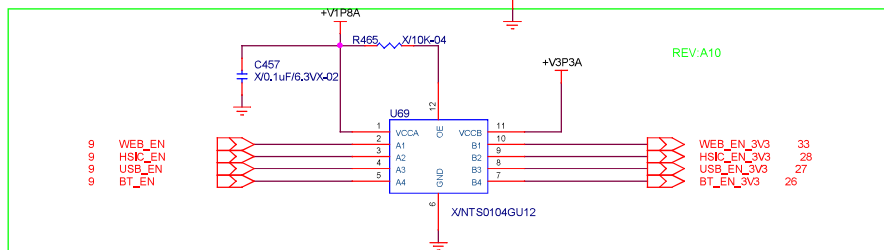
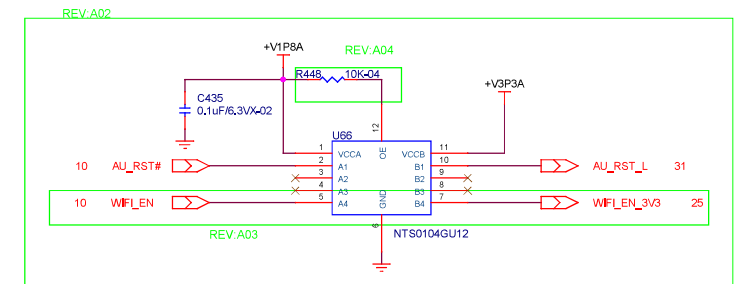
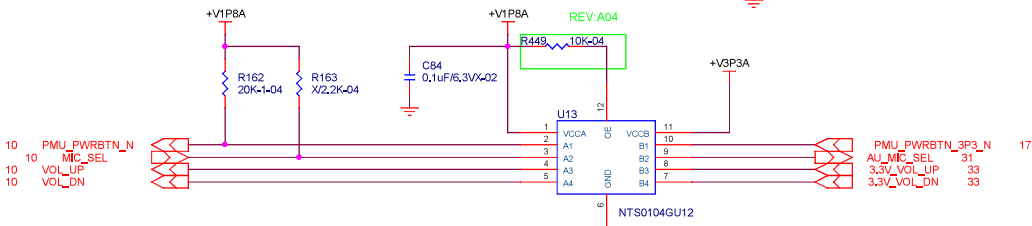
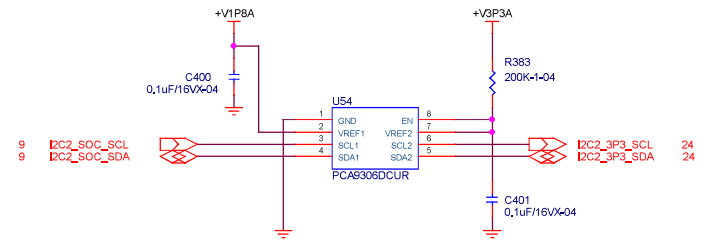
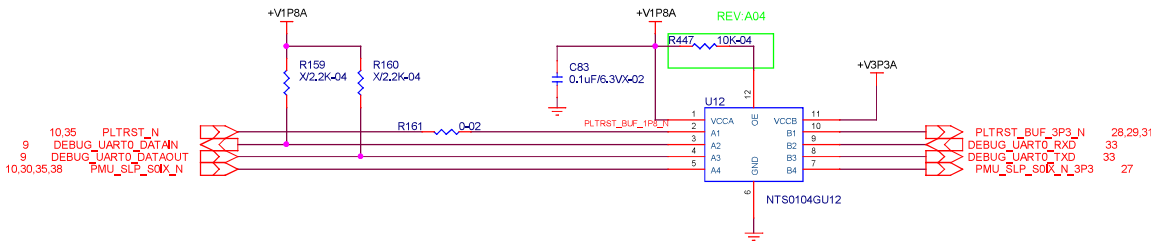
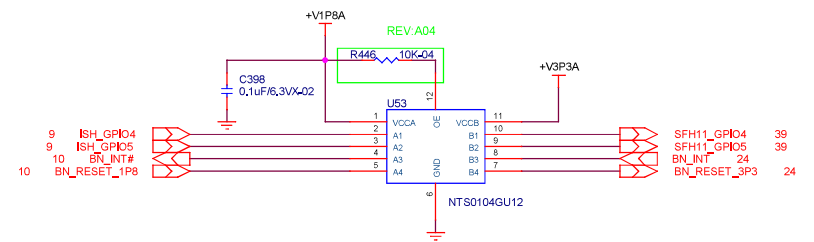
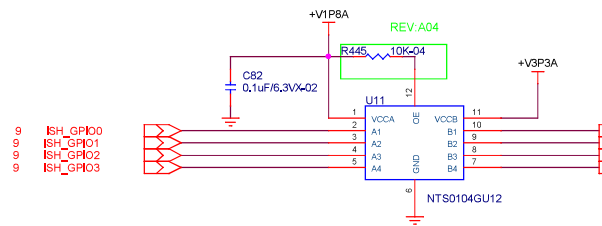
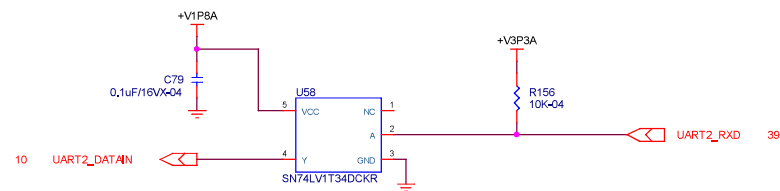
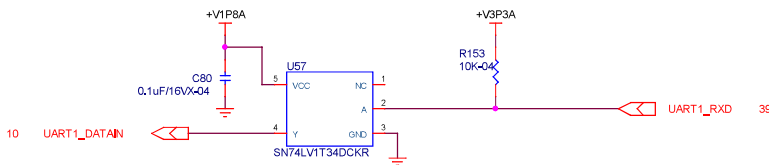
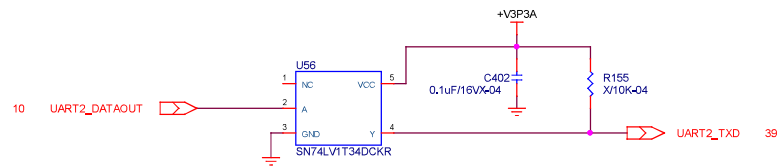
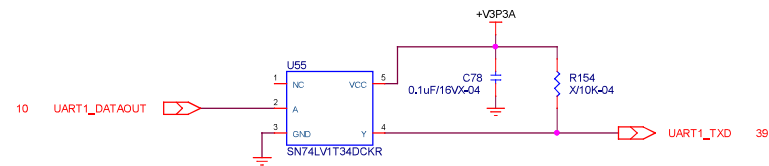



RESET Button

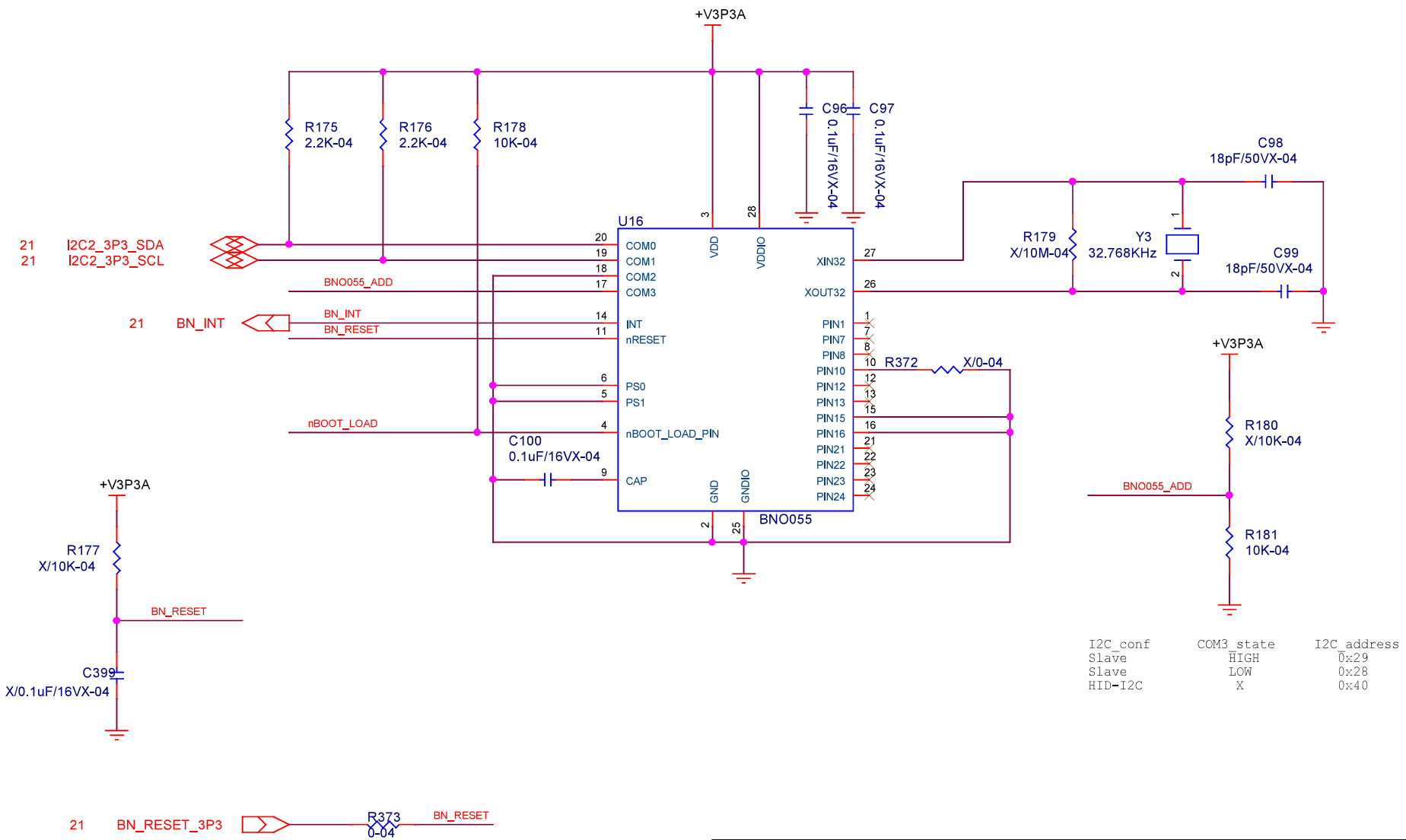
REV:A04




| | | |
|--|--------------------------|------------------|
| Title POWER & RESET PIN HEADER | | |
| Size A | Document Number MF001 | Rev: A1.0_0_0 |
| Date: Tuesday, September 26, 2017 | | Sheet: 17 of 41 |



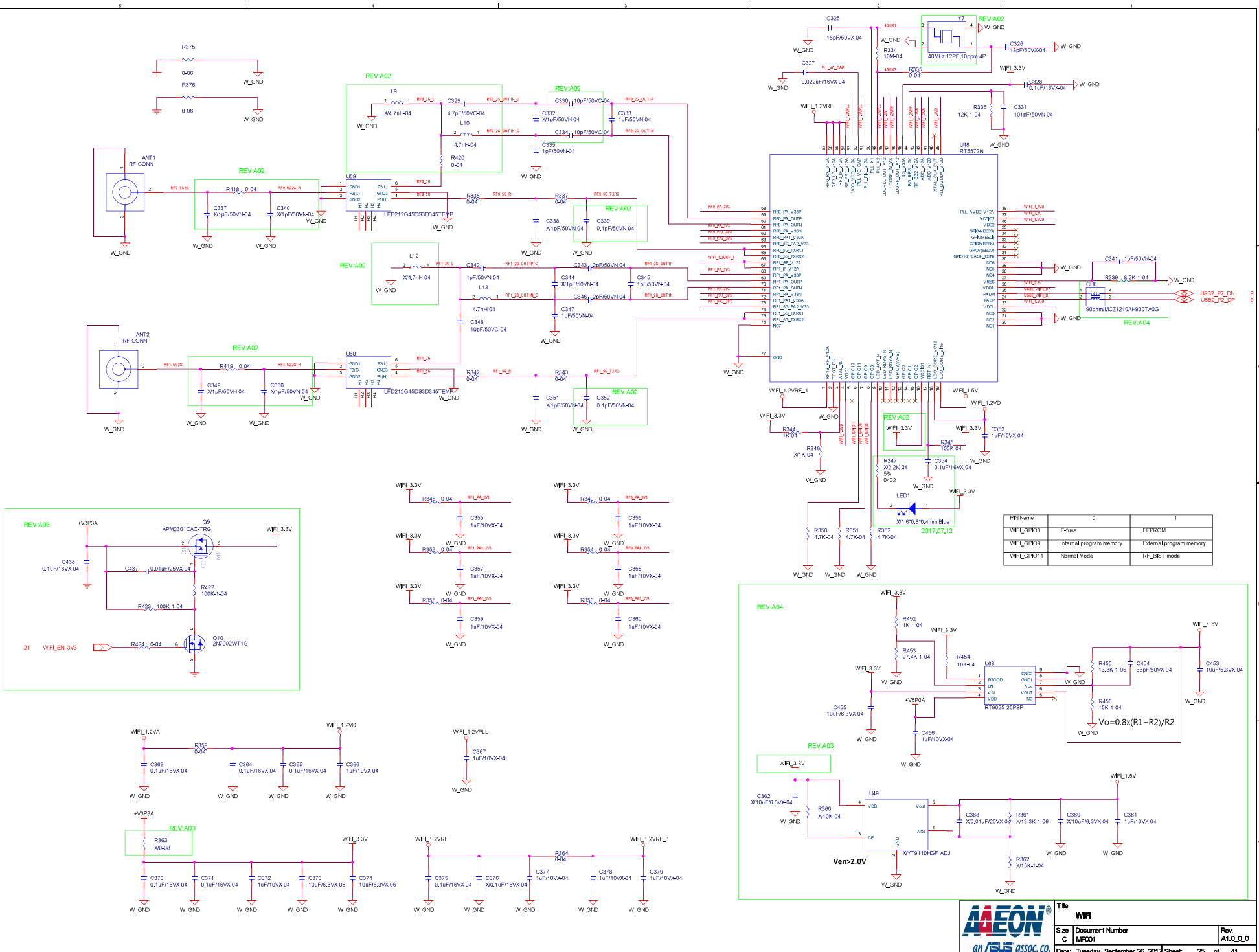
| | | | |
|---|-----------------------|-----------------------------------|----------|
|  an ASUS ASSOC. CO. | Title | | Rev: |
| | Level Shift Circuitry | | A1.0_0_0 |
| Size | Document Number | Date: Tuesday, September 28, 2011 | |
| Cust# | MFR001 | Sheet: | 21 of 41 |



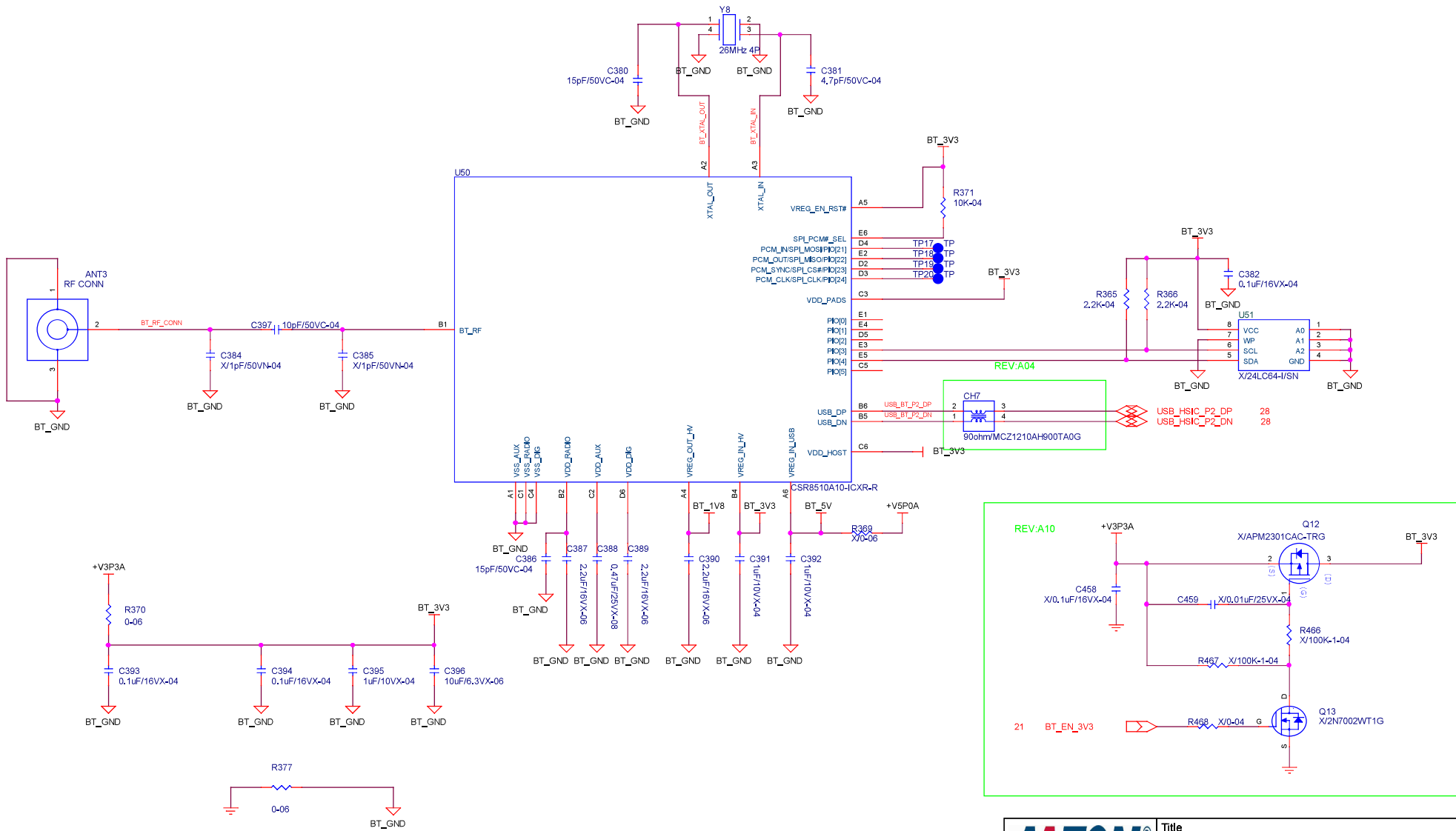
| I2C_conf | COM3_state | I2C_address |
|----------|------------|-------------|
| Slave | HIGH | 0x29 |
| Slave | LOW | 0x28 |
| HID-I2C | X | 0x40 |



| | | |
|--|------------------------|------------------------|
| Title | | |
| BNO055 | | |
| Size | Document Number | Rev: |
| A | MF001 | A1.0_0_0 |
| Date: Tuesday, September 26, 2017 | | Sheet: 24 of 41 |

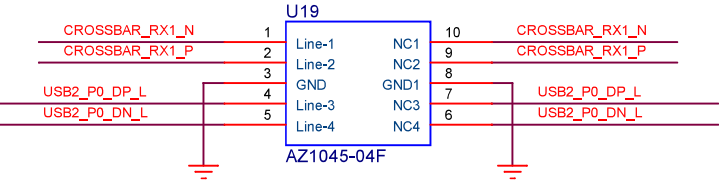
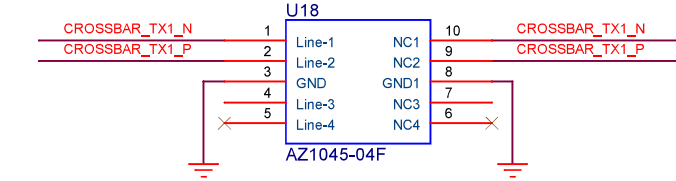
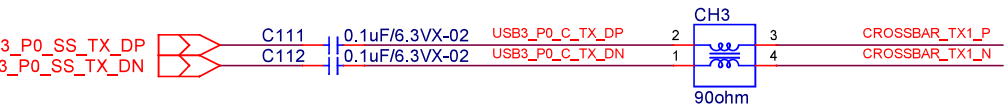
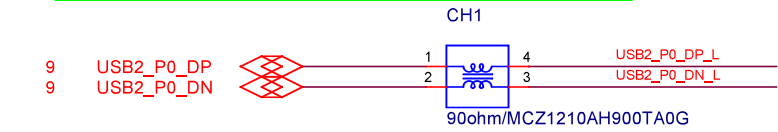
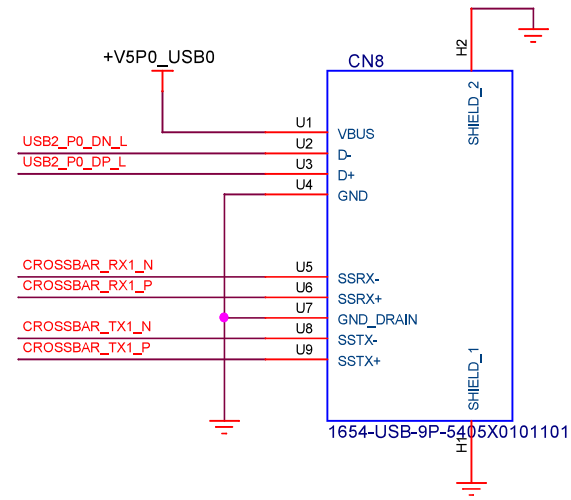
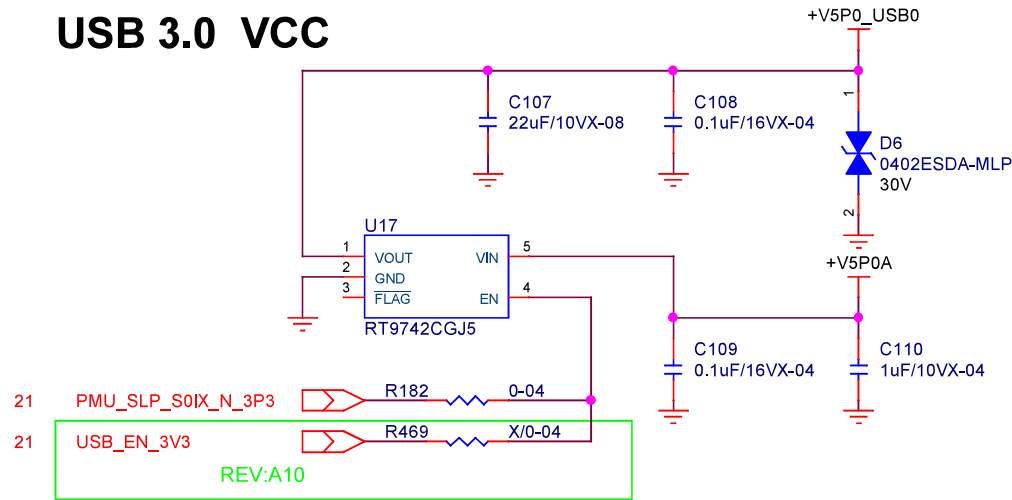


| Pin Name | 0 | 1 |
|------------|-------------------------|-------------------------|
| WFL1_GP08 | E-Use | EERROM |
| WFL1_GP09 | Internal program memory | External program memory |
| WFL1_GP011 | Normal Mode | RT_BST mode |



| | | |
|-----------------------------------|-----------------|----------|
| Title | | |
| BT_CSR CRS8510 | | |
| Size | Document Number | Rev. |
| B | MF001 | A1.0_0_0 |
| Date: Tuesday, September 26, 2017 | | |
| Sheet: 26 | | of 41 |

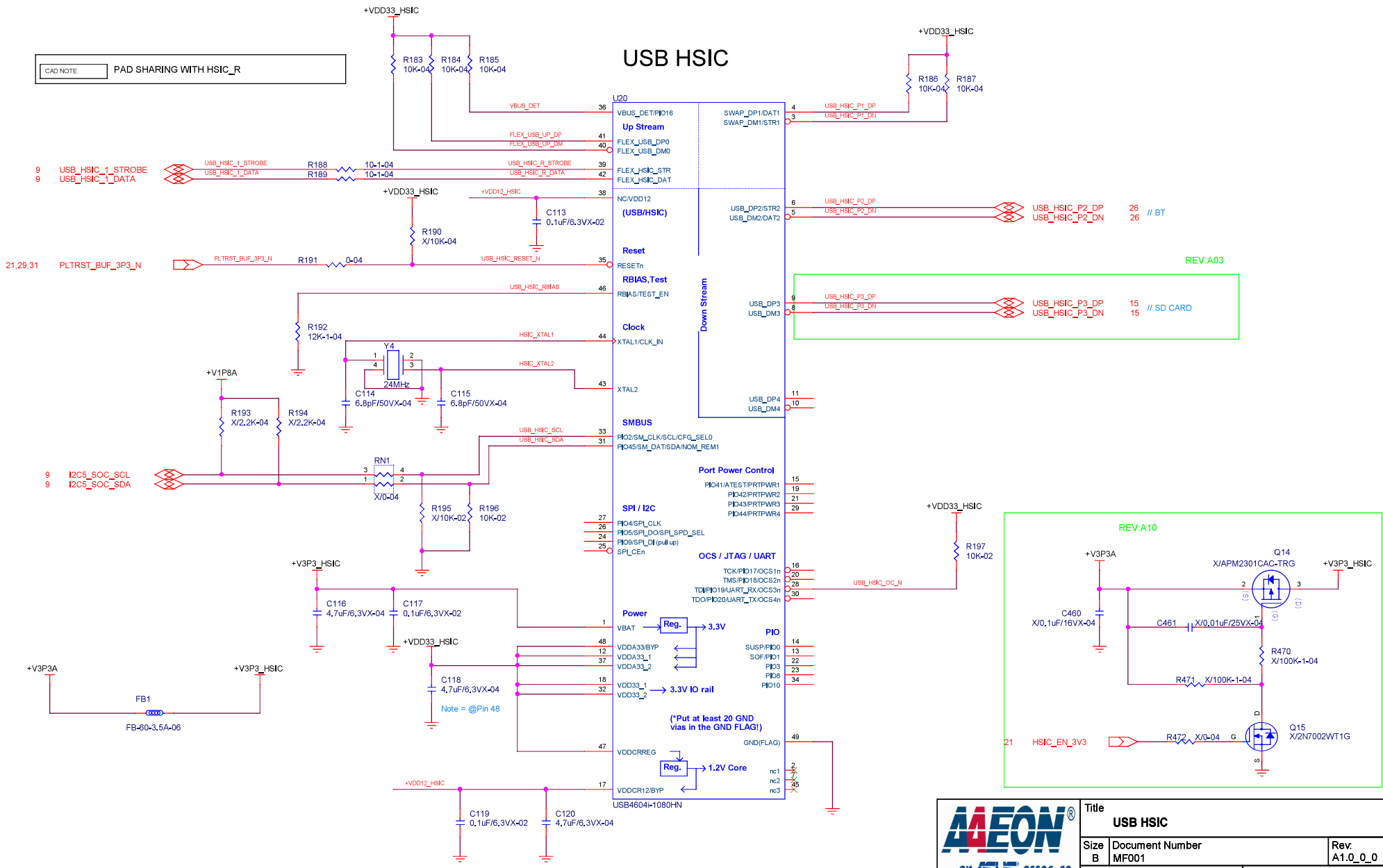
USB 3.0 VCC



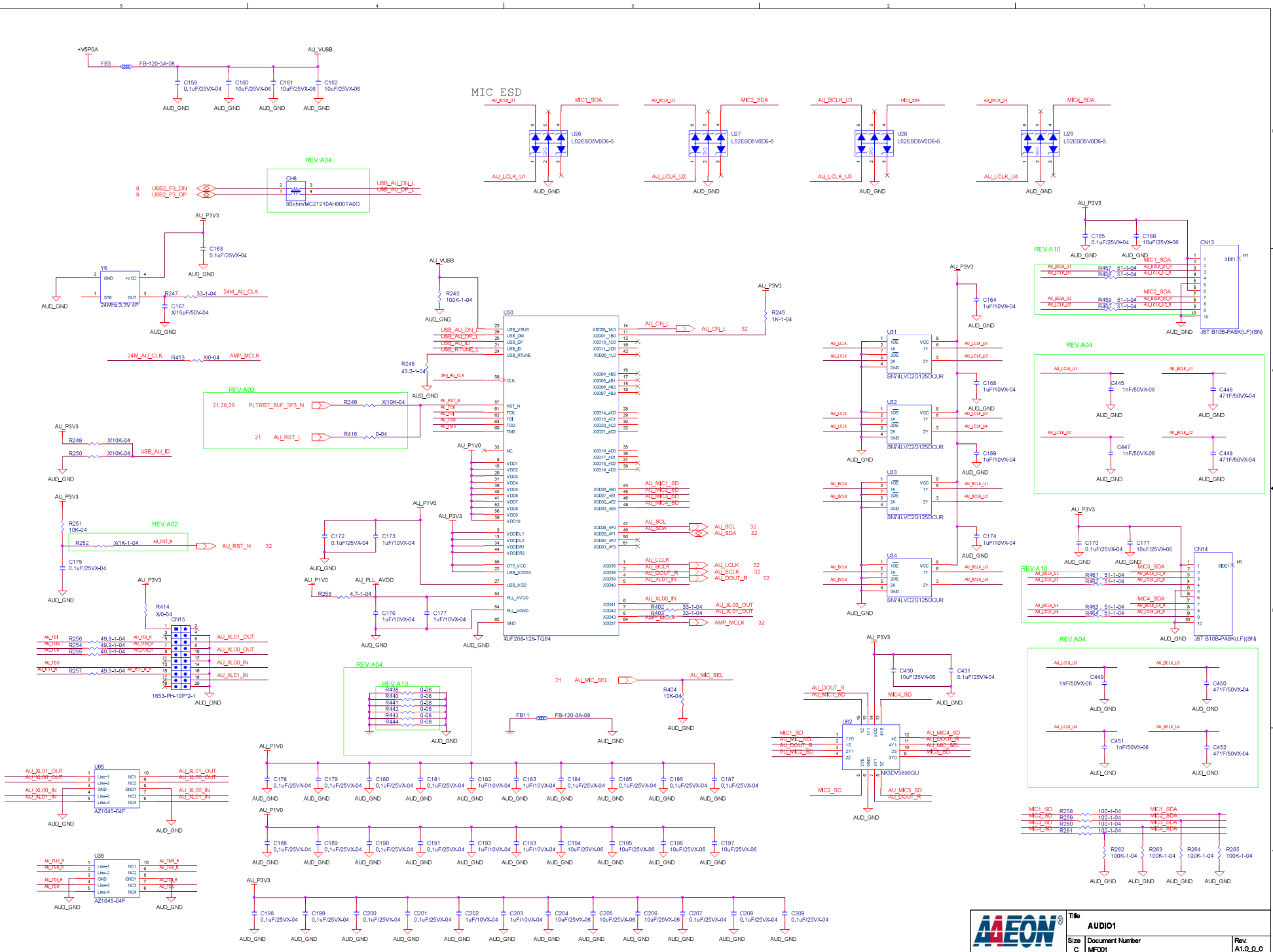
| | | |
|-----------------------------------|-----------------|----------|
| Title | | |
| USB 3.0 Type-A | | |
| Size | Document Number | Rev: |
| A | MF001 | A1.0_0_0 |
| Date: Tuesday, September 26, 2017 | Sheet: 27 | of 41 |

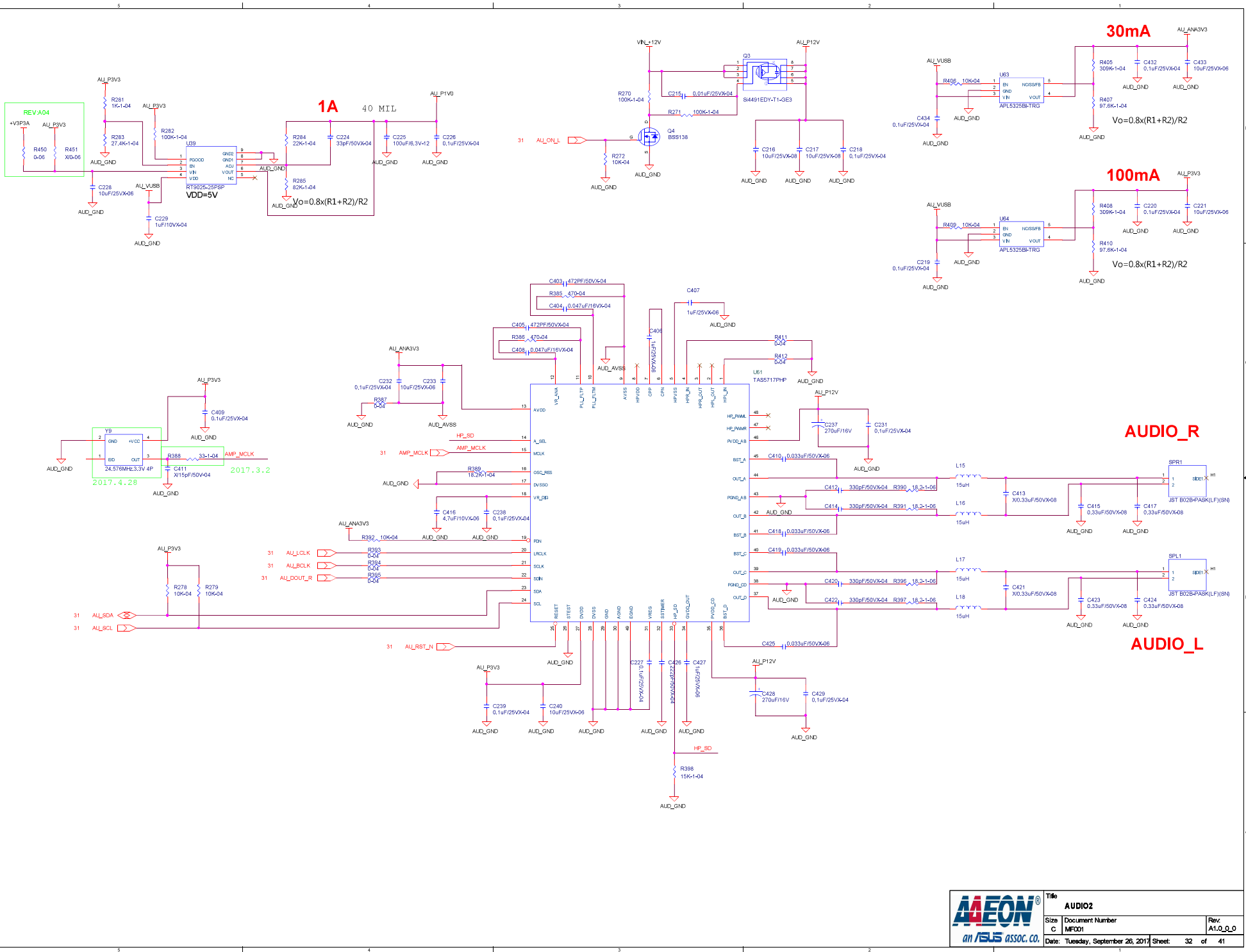
CAD NOTE: PAD SHARING WITH HSIC_R

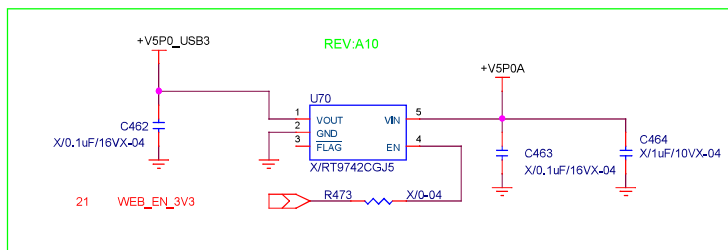
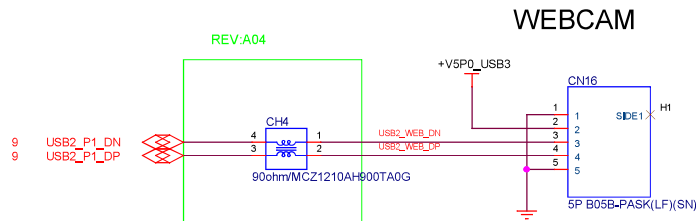
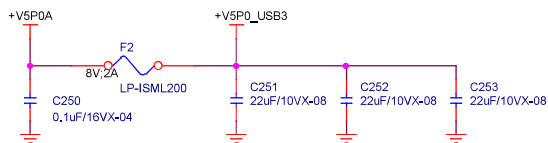
USB HSIC



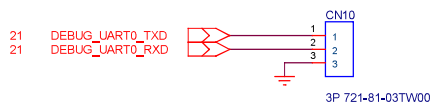
| | | |
|---|--------------------------|------------------|
| Title USB HSIC | | |
| Size B | Document Number MF001 | Rev. A1.0_0_0 |
| Date: Tuesday, September 26, 2017 Sheet: 28 of 41 | | |



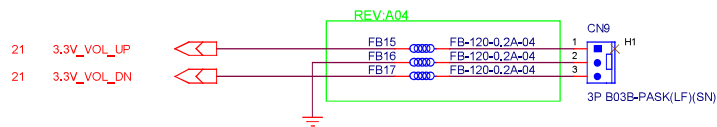




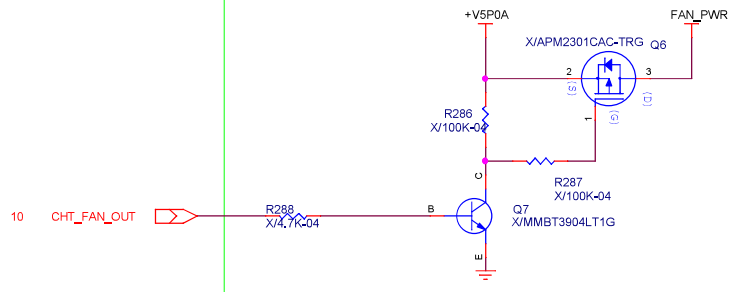
DEBUG



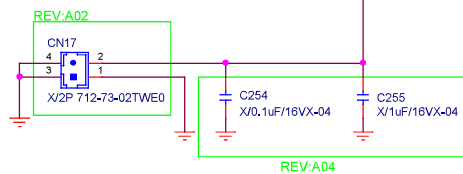
VOLUME



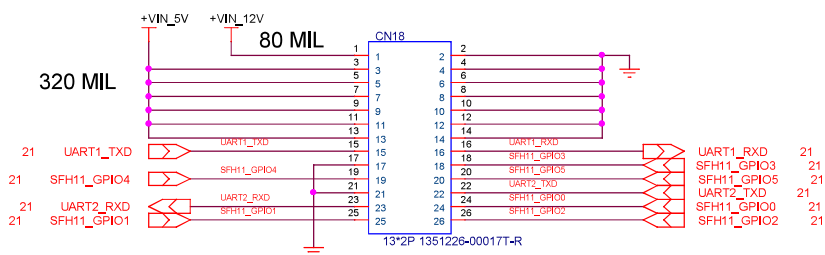
REV:A04



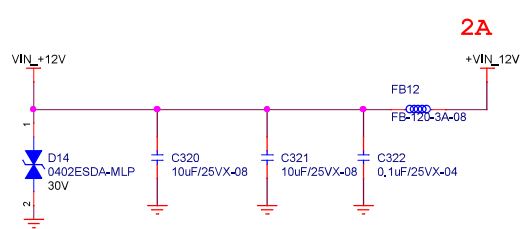
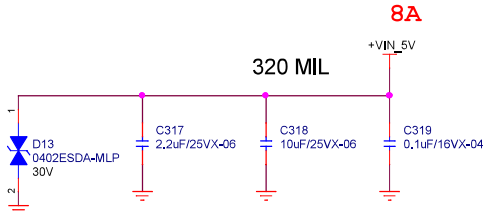
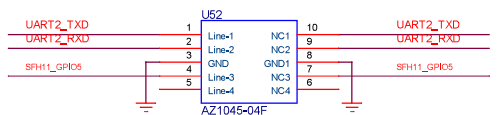
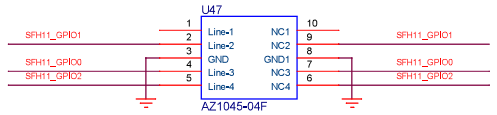
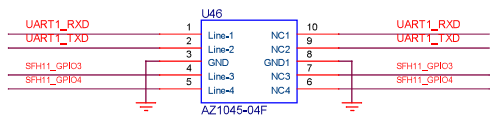
FAN



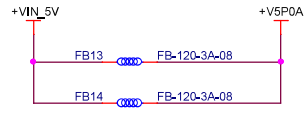
| | | |
|-----------------------------------|-----------------|-----------------|
| Title | | |
| WEBCAM & FAN | | |
| Size | Document Number | Rev. |
| B | MF001 | A1.0_0_0 |
| Date: Tuesday, September 26, 2017 | | Sheet: 33 of 41 |



ESD



trace width: 320mil



| | | |
|---|--------------------------|------------------|
| Title DC IN 26 PIN CONNECTOR | | |
| Size B | Document Number MF001 | Rev. A1.0_0_0 |
| Date: Tuesday, September 26, 2017 Sheet: 39 of 41 | | |